



VECOM is an advanced compact IP-based integrated voice and data communications system. It provides a common network platform, serving as a super highway to facilitate integration of various C41 (Command, Control, Communications, Computers and Intelligence) systems. This enhances interconnectivity, survivability and interoperability. The robust and ruggedized VECOM facilitates collaboration which helps to increase workgroups command and control efficiency on tactical vehicles operating in harsh environments. The VECOM Carbon consists of 2 crew unit types, the Single Crew Unit (SCU) and Dual Crew Unit (DCU). The SCU allows an operator to access intercom and radio services. The DCU allows two operators to access intercom and radio services. The VECOM CARBON is designed to utilize VIC-3 cable harnesses.

OUR SERVICES

- System conceptualization and design
- Manufacturing and procurement
- Implementation
- System integration
- Testing and commissioning
- Documentation and training
- Supply support
- Warranty and maintenance

TECHNICAL SPECIFICATIONS

COMMUNICATIONS

VoIP base Session Initiation Protocol (SIP) and secure SIP
10/100 Ethernet ring backbone for delivering voice data payloads in a combat vehicle
System and radio management

POWER SUPPLY

18-36 VDC input, MIL-STD-1275D compliant distributed power supply

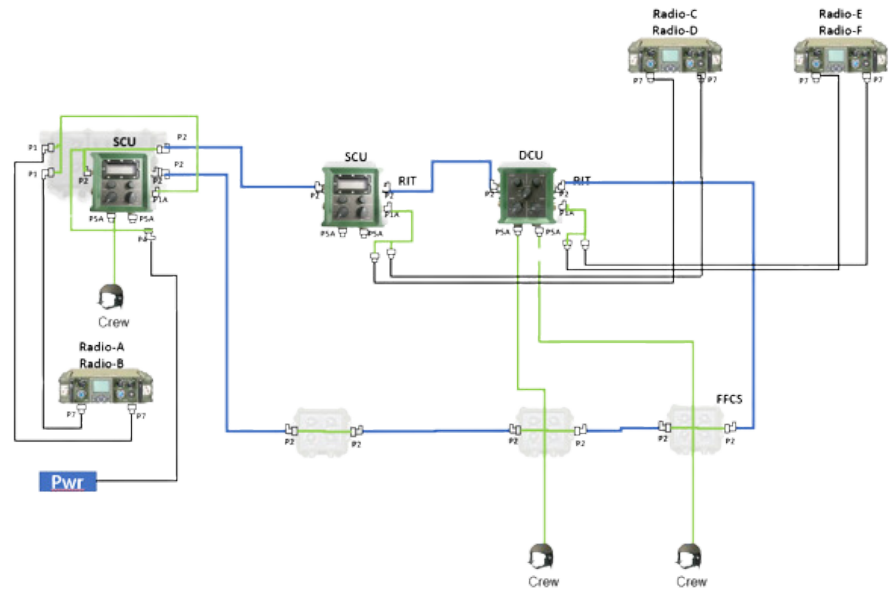
PROTOCOLS

Ethernet (IP Phone / IP Radio / Data Terminals)
RS232
Analogue audio (4-wire Tx / Rx / PTT)
Analogue alarm inputs and loud speaker outputs

PATENTS

Communications Network (US 9450808 & WO 2013009260)

VECOM CARBON VEHICULAR INTEGRATED COMMUNICATIONS SYSTEM



ENVIRONMENT AND EMI/EMC QUALIFICATIONS

Operating Temperature
Storage Temperature
Solar
Fungus
Vibration
Shock
Salt Fog
Humidity
Ingress Protection
EMI/EMC
Vehicular Supply Standard

MIL-STD-810G (-40°C to +63°C)
MIL-STD-810G (-55°C to +71°C)
MIL-STD-810F
MIL-STD-810E
MIL-STD-810E
MIL-STD-810E
MIL-STD-810G
IP68 (Water Submersion at 1m)
MIL-STD-461E
MIL-STD-1275D